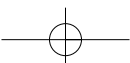
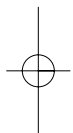
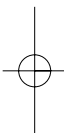
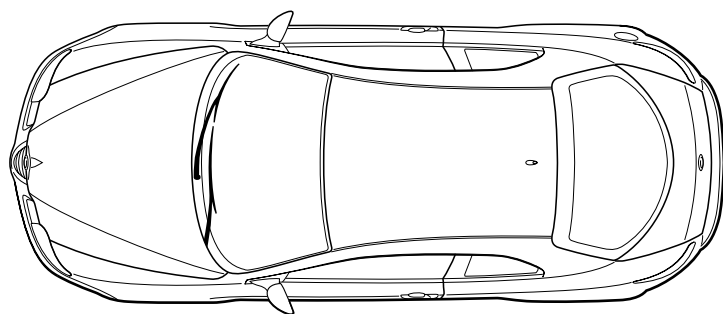
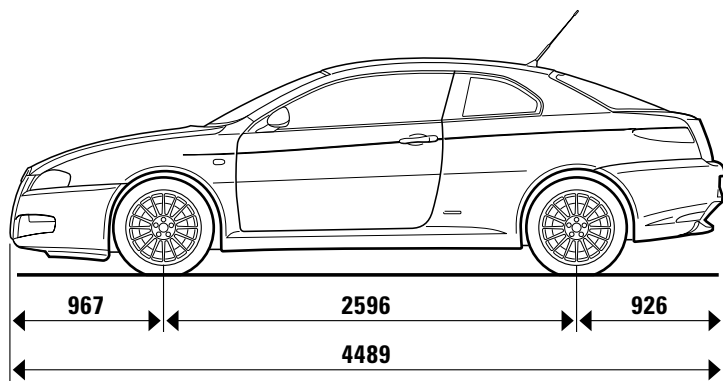


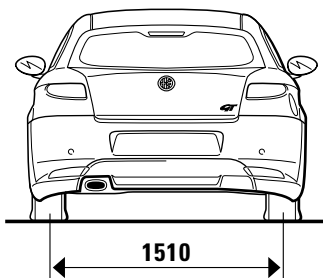
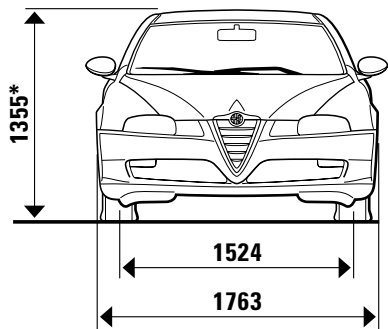


# Technical specifications



### 3.2 V6





**\* 2.0 JTS: 1362**

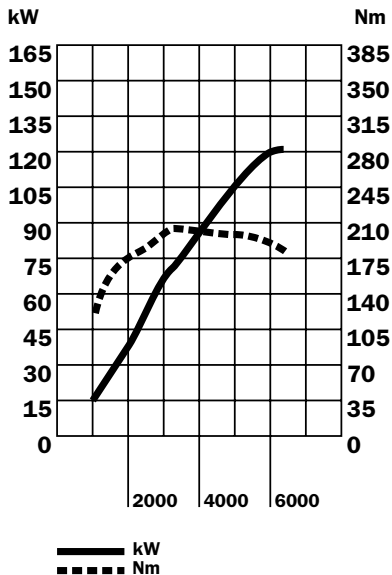
**\* 1.9 M-Jet 16v: 1366**

**Engine - Main features**

No. of cylinders, layout  
 Bore x stroke (mm)  
 Capacity (cc)  
 Compression ratio  
 Max. power output EC: kW (bhp)  
 at rpm  
 Peak torque EC: Nm (kgm)  
 at rpm  
 Timing (control)

**2.0 JTS /2.0 JTS Selespeed**

4, in line, front transverse,  
 2 counter-rotating balancer shafts  
 83 x 91  
 1970  
 11.3 : 1  
 121 (165)  
 6400  
 206 (21)  
 3250  
 2 OHC, (toothed belt) with hydraulic  
 tappets and electrohydraulic  
 variable valve timing force-fitted  
 on the inlet camshaft driven by  
 a Bosch control unit



Peak torque: 206 Nm at 3250 rpm  
 Max. power output: 121 kW at 6400 rpm

Fuel feed	Bosch Motronic MED7.1.1 phased sequential electronic MPI with selective knock control
Ignition	static, electronic digital combined with injection, knock sensor and 4 HT coils fitted in the head, 1 spark plug per cylinder
Emissions control	Euro 4
CO <sub>2</sub> emissions (g/km)	208

### Electrical equipment (12V)

Battery: capacity (Ah)	60
------------------------	----

### Transmission

Drive	front
Gearbox: 1 <sup>st</sup>	3.909 : 1
2 <sup>nd</sup>	2.238 : 1
3 <sup>rd</sup>	1.520 : 1
4 <sup>th</sup>	1.156 : 1
5 <sup>th</sup>	0.946 : 1
Reverse	3.909 : 1
Final drive ratio	3.733 : 1

### Wheels

Tyres	205/55 R16 205/55 ZR16
-------	---------------------------

### Steering

Steering box	rack and pinion with power steering
Turning circle between kerbs (m)	11.5

### Suspension

Front	independent, dual wishbones with double trailing arm and anti-roll bar mounted on ball joints
Rear	independent, MacPherson struts with transverse levers of different lengths anchored to an aluminium cross beam, reaction arms, offset coil springs, and anti-roll bar mounted on ball joints and linked to the shock absorber

**Brakes D (disc)**

Front: dia. (mm)	D 284 (ventilated)
Rear: dia. (mm)	D 276

**Bodywork - Dimensions**

No. of seats / No. of doors	5 / 2
Length / Width (mm)	4489 / 1763
Height, unladen (mm)	1362
Wheelbase (mm)	2596
Front/rear track unladen (mm)	1524 / 1510
Boot capacity VDA (dm <sup>3</sup> )	320

**Supplies - Weights**

Fuel tank (litres)	63
DIN kerb weight (kg)	1320
Max. towable weight (kg)	1300

**Performance - Fuel consumption**

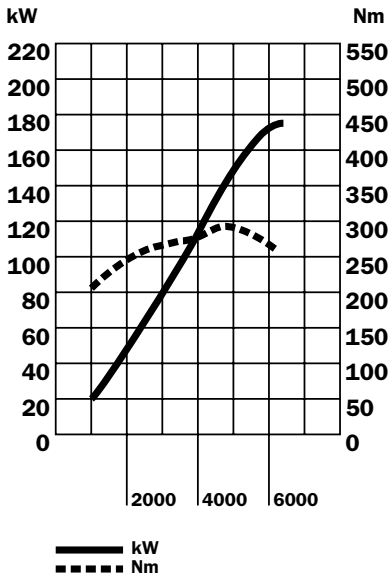
Speed with engine at 1000 rpm in 5 <sup>th</sup> (km/h)	32.8
Top speed (km/h)	216
Acceleration (s) (1 adult + 30 kg):	
- 0 to 100 km/h	8.7
- 0 to 1000 m	29.2

**Fuel consumption** as per EC directive 1999/100 (l/100 km):

urban cycle	12.3
extra-urban cycle	6.8
combined cycle	8.7

**Engine - Main features****3.2 V6**

No. of cylinders, layout	6 in 60° V
Bore x stroke (mm)	93 x 78
Capacity (cc)	3179
Compression ratio	10 : 1
Max. power output EC: kW (bhp)	176 (240)
at rpm	6200
Peak torque EC: Nm (kgm)	300 (30.6)
at rpm	4800
Timing (control)	2 OHC, (toothed belt) with hydraulic tappets and electrohydraulic variable valve timing force-fitted on the inlet camshaft driven by a Bosch control unit



Peak torque: 300 Nm at 4800 rpm  
 Max. power output: 176 kW at 6200 rpm

Fuel feed	Bosch Motronic MED7.1.1 phased sequential electronic MPI with selective knock control
Ignition	static, electronic digital combined with injection, knock sensor and 4 HT coils fitted in the head, 1 spark plug per cylinder
Emissions control	Euro 4
CO <sub>2</sub> emissions (g/km)	295

**Electrical equipment (12V)**

Battery: capacity (Ah)	60
------------------------	----

**Transmission**

Drive	front
Gearbox: 1 <sup>st</sup>	3.500 : 1
2 <sup>nd</sup>	2.253 : 1
3 <sup>rd</sup>	1.520 : 1
4 <sup>th</sup>	1.161 : 1
5 <sup>th</sup>	0.971 : 1
6 <sup>th</sup>	0.818 : 1
Reverse	3.545 : 1
Final drive ratio	3.733 : 1

**Wheels**

Tyres	225/45 ZR17
-------	-------------

**Steering**

Steering box	rack and pinion with power steering
Turning circle between kerbs (m)	11.5

**Suspension**

Front	independent, dual wishbones with double trailing arm and anti-roll bar mounted on ball joints
Rear	independent, MacPherson struts with transverse levers of different lengths anchored to an aluminium cross beam, reaction arms, offset coil springs, and anti-roll bar mounted on ball joints and linked to the shock absorber



**Brakes D (disc)**

Front: dia. (mm)	D 330 (ventilated)
Rear: dia. (mm)	D 276

**Bodywork - Dimensions**

No. of seats / No. of doors	5 / 2
Length / Width (mm)	4489 / 1763
Height, unladen (mm)	1355
Wheelbase (mm)	2596
Front/rear track unladen (mm)	1524 / 1510
Boot capacity VDA (dm <sup>3</sup> )	320

**Supplies - Weights**

Fuel tank (litres)	63
DIN kerb weight (kg)	1410
Max. towable weight (kg)	1400

**Performance - Fuel consumption**

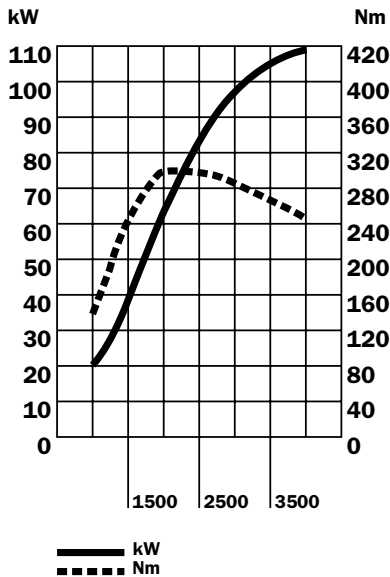
Speed with engine at 1000 rpm in 5 <sup>th</sup> (km/h)	32.2
Top speed (km/h)	243
Acceleration (s) (1 adult + 30 kg):	
- 0 to 100 km/h	6.7
- 0 to 1000 m	26

**Fuel consumption** as per EC directive 1999/100 (l/100 km):

urban cycle	18.6
extra-urban cycle	8.7
combined cycle	12.4

**Engine - Main features****1.9 M-Jet 16v**

No. of cylinders, layout	4, in line, front transverse
Bore x stroke (mm)	82 x 90.4
Capacity (cc)	1910
Compression ratio	18 : 1
Max. power output EC: kW (bhp)	110 (150)
at rpm	4000
Peak torque EC: Nm (kgm)	305 (31)
at rpm	2000
Timing (control)	2 OHC, (toothed belt) with hydraulic tappets, 4 valves per cylinder



Peak torque: 305 Nm at 2000 rpm  
 Max. power output: 110 kW at 4000 rpm

Fuel feed	Multijet direct injection with turbo and intercooler. Bosch EDC 16 electronic control system
Ignition	by compression
Emissions control	Euro 3 + EOBD
CO <sub>2</sub> emissions (g/km)	178

**Electrical equipment (12V)**

Battery: capacity (Ah)	60
------------------------	----

**Transmission**

Drive	front
Gearbox: 1 <sup>st</sup>	3.800 : 1
2 <sup>nd</sup>	2.235 : 1
3 <sup>rd</sup>	1.360 : 1
4 <sup>th</sup>	0.971 : 1
5 <sup>th</sup>	0.763 : 1
6 <sup>th</sup>	0.614 : 1
Reverse	3.545 : 1
Final drive ratio	3.562 : 1

**Wheels**

Tyres	205/55 R16
-------	------------

**Steering**

Steering box	rack and pinion with power steering
Turning circle between kerbs (m)	11.5

**Suspension**

Front	independent, dual wishbones with double trailing arm and anti-roll bar mounted on ball joints
Rear	independent, MacPherson struts with transverse levers of different lengths anchored to an aluminium cross beam, reaction arms, offset coil springs, and anti-roll bar mounted on ball joints and linked to the shock absorber

**Brakes D (disc)**

Front: dia. (mm)	D 284 (ventilated)
Rear: dia. (mm)	D 276

**Bodywork - Dimensions**

No. of seats / No. of doors	5 / 2
Length / Width (mm)	4489 / 1763
Height, unladen (mm)	1366
Wheelbase (mm)	2596
Front/rear track unladen (mm)	1524 / 1510
Boot capacity VDA (dm <sup>3</sup> )	320

**Supplies - Weights**

Fuel tank (litres)	63
DIN kerb weight (kg)	1365
Max. towable weight (kg)	1300

**Performance - Fuel consumption**

Top speed (km/h)	209
Acceleration (s) (1 adult + 30 kg):	
- 0 to 100 km/h	9.6
- 0 to 1000 m	30.9

**Fuel consumption** as per EC directive 1999/100 (l/100 km):

urban cycle	8.7
extra-urban cycle	5.4
combined cycle	6.7